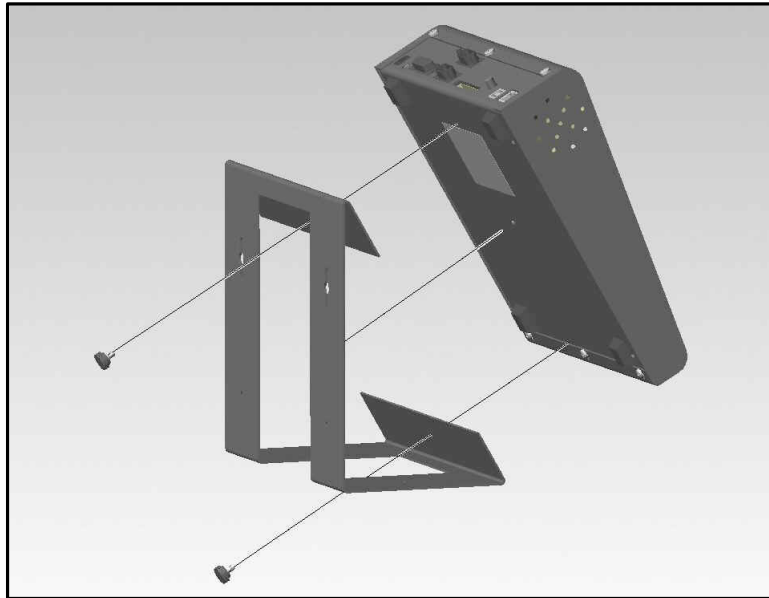


## Mounting with the Optional M7140 Wall Bracket

The optional M7140 mounting bracket allows the M7140 to be mounting in a variety of ways.



**Vertical Mounting Option (wall bracket mounting).**



**Horizontal Mounting Option (table top mounting).**

Mount the bracket securely to the wall before attaching the M7140 with the thumbscrews that are supplied. Once you have mounted the bracket, put the two thumbscrew screws in place using the two threaded inserts on the bottom of the M7140.